



*In Business for
Over Forty Years
Since 1982*

ROLLAC 

Rolling Shutter Installation Manual
Quick Start Guide

Please read fully before installing rolling shutters

Table of Contents

• Important Rolling Shutter Terminology	3
• Shutter Installation Condition Covered in Technical Guide	4
• Step 1 – Fix Shutter Housing	5
• Step 2 – Install Operator	7
• Step 3 – Shutter Testing and Final Adjustment	9

Important Notice

Please familiarize yourself with these instructions before starting the installation. This guide is intended to be a quick startup guide, and the installation methods presented are meant for reference. Steps and methods may vary depending on installation conditions. For more detailed installation instructions or if you have any questions, please consult the Rollac **Complete Technical Guide** or contact us at 281-485-1911 and ask for installation support.

Installation instructions require experience in construction and mounting techniques and are written for the professional installer that is authorized by Rollac or one of its authorized dealers.

Have all electrical work performed by a qualified electrician.

Rollac also has installation videos available at www.rollac.com.

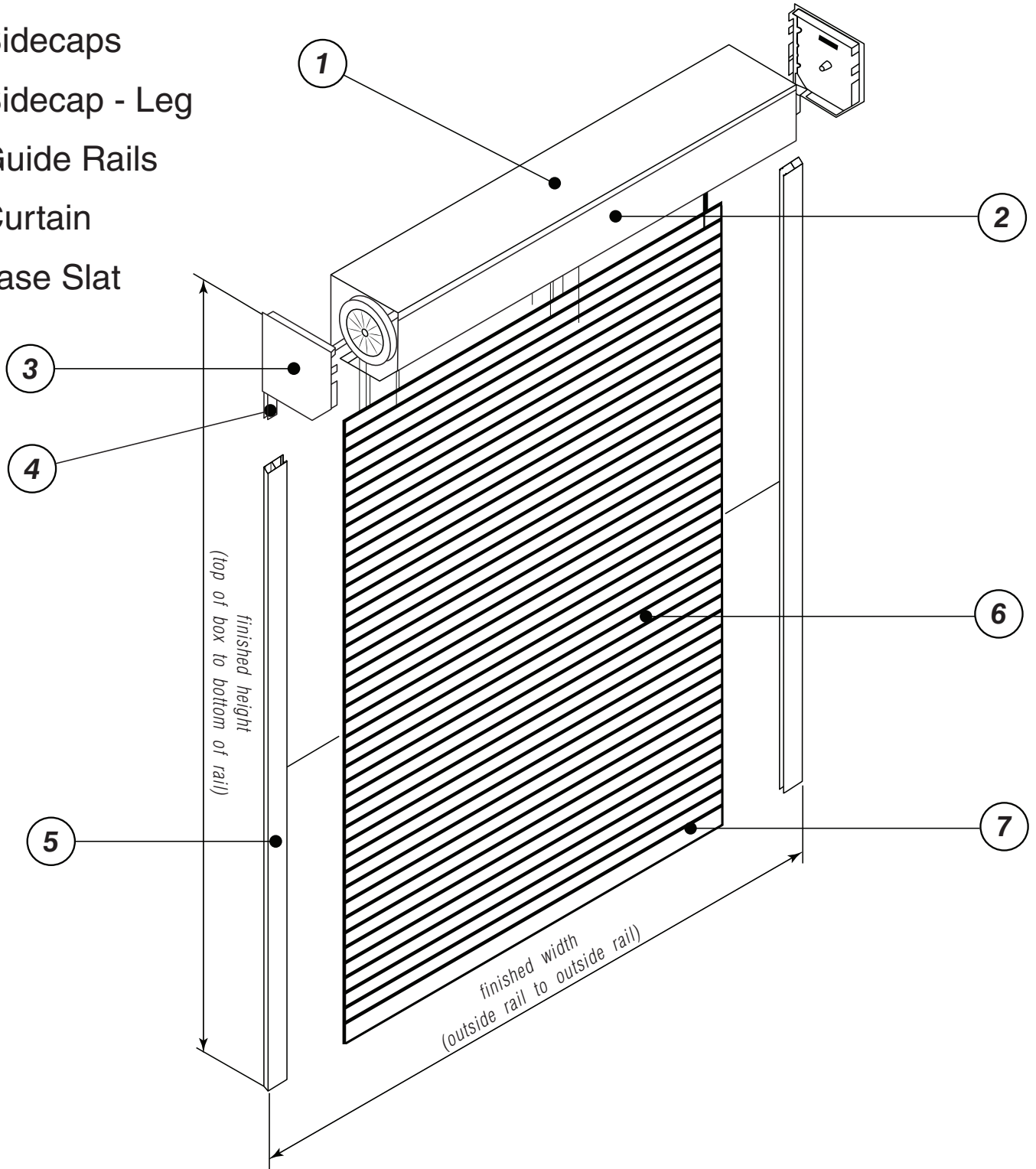
COPYRIGHT NOTICE:

This installation guide is for the authorized and professional Rollac dealer. All content is copyrighted by Rollac. Distribution or unauthorized use of this content without the written consent of Rollac is prohibited. Rollac Shutter of Texas, Inc. will actively pursue its legal rights.

© Rollac Shutter of Texas, Inc. 2024

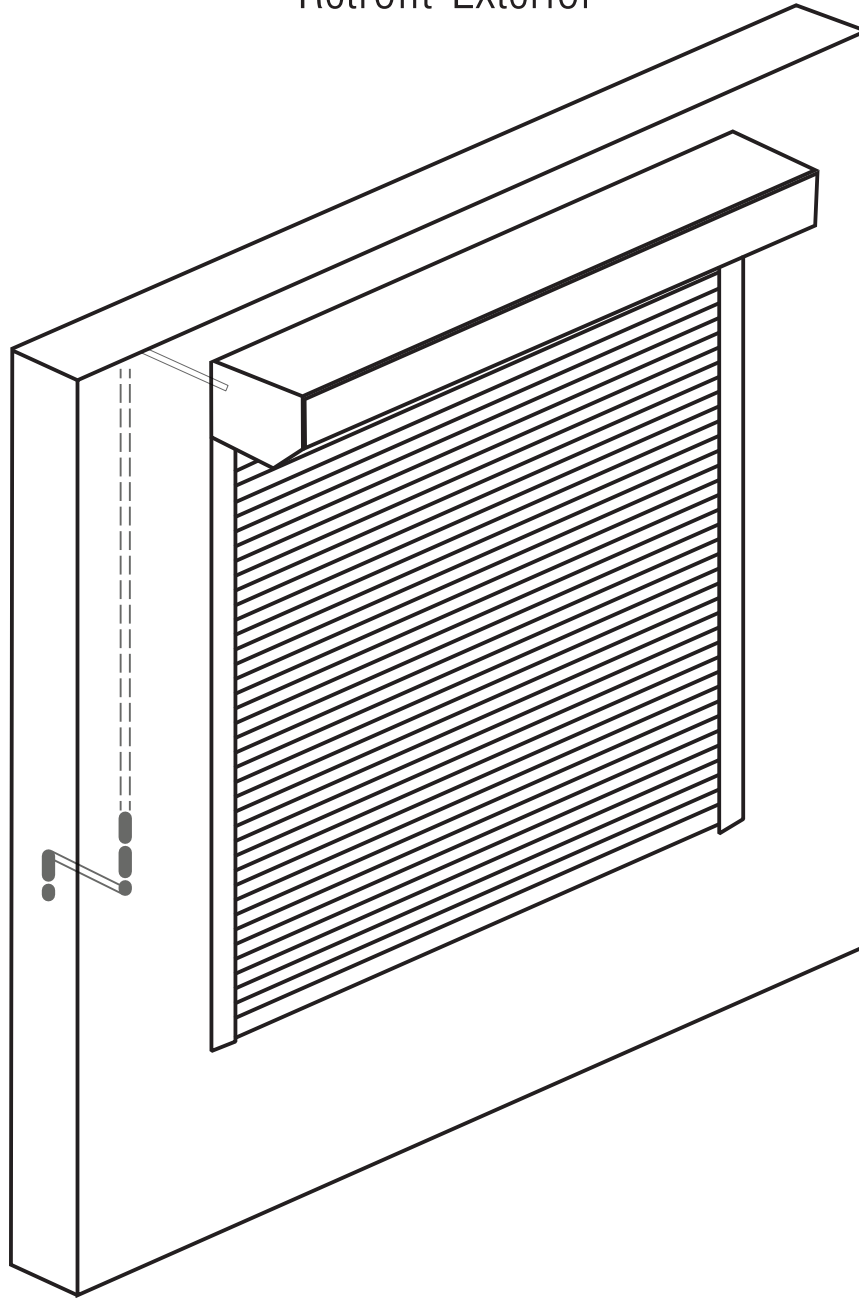
Important Rolling Shutter Terminology

1. Shutter Housing Back
2. Front Cover or Access Panel
3. Sidecaps
4. Sidecap - Leg
5. Guide Rails
6. Curtain
7. Base Slat



Shutter Installation Conditioned Covered

Retrofit-Exterior



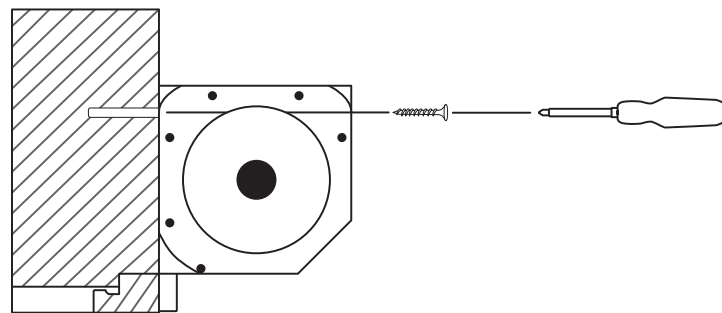
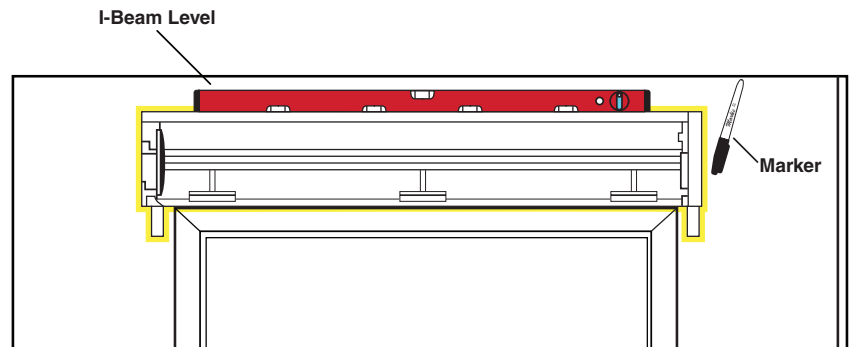
Rolling Shutter Surface Preparation

- Mounting surface must be suitable to carry the weight of the rolling shutter
- Check shutter dimensions vs. window or opening dimensions
- No obstructions should be in the up and down path of the shutter
- Rolling Shutter needs a bottom stop to rest on, i.e. window sill, ground, or with a sill angle

Step 1 - Fix Shutter Housing

Level Shutter Housing against wall

1. Use a standard bubble level to ensure proper alignment of the shutter housing against the wall.
2. Mark the outer position of shutter housing with a carpenter pencil or chalk

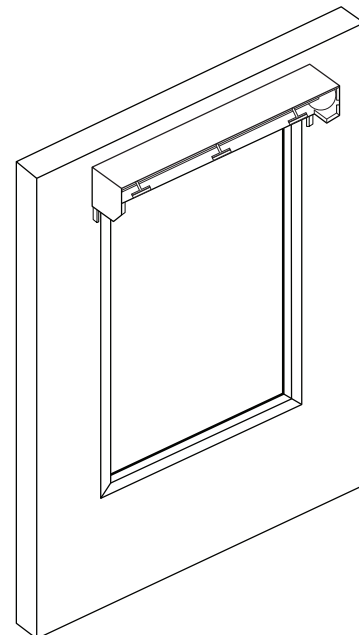


Exterior Mount Shutters: Transfer Feed Hole onto installation surface

1. Mark drilling hole for operator's feed.
2. Remove housing.
3. Drill feed hole for operator
(for feed hole diameter see Step 2 - Install Operator).

Reflection

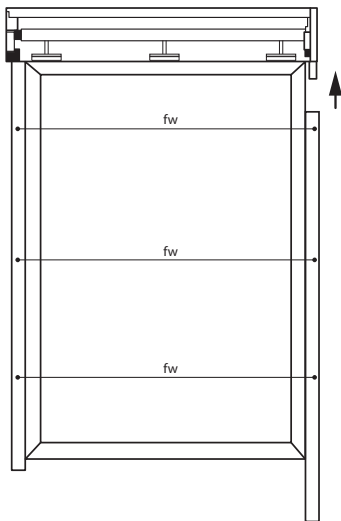
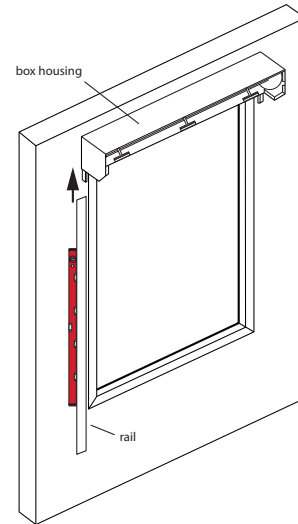
1. Check on work so far. At this point only the box housing is installed.
2. Bring the bubble level out again and check your work before moving on.



Step 2 - Mounting Rails

Insert Rail into Side-Cap Leg

1. Insert first Guide Rail into Side-Cap Leg.
2. Be careful not to break Side-Cap Legs.
3. Fix Top Screw.
4. Make sure Rail is level (double check).
5. Fix Bottom screw.

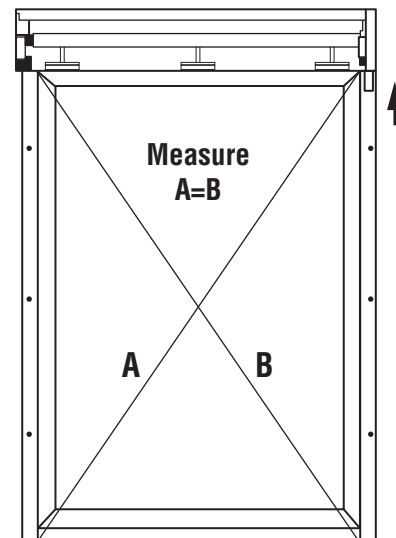


Insert second Rail into Side-Cap Legs

1. Insert second Guide Rail into Side Cap Leg on opposite side.
2. Check level.
3. Use the finished width as a measurement and fix the top screw.
4. Repeat previous step for the bottom screw.

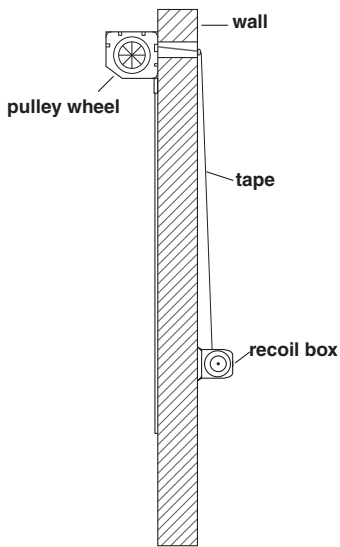
Reflection

1. Check on work so far. Box housing and Rails have been installed; next is the operator and curtain.
2. Run the same checks with your bubble level. After this you are done with the level.



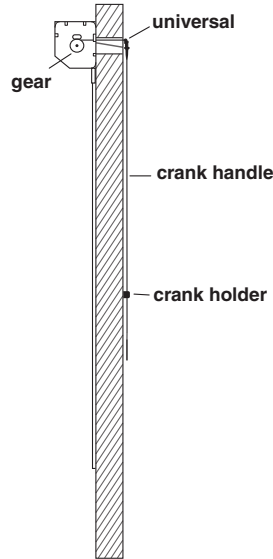
Step 3 - Install Operator

Tape Drive Operated



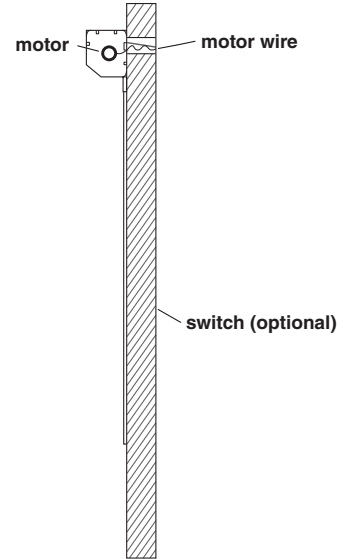
Drill hole diameter for tape drive operated shutters: $\varnothing 5/8"$

Gear Operated

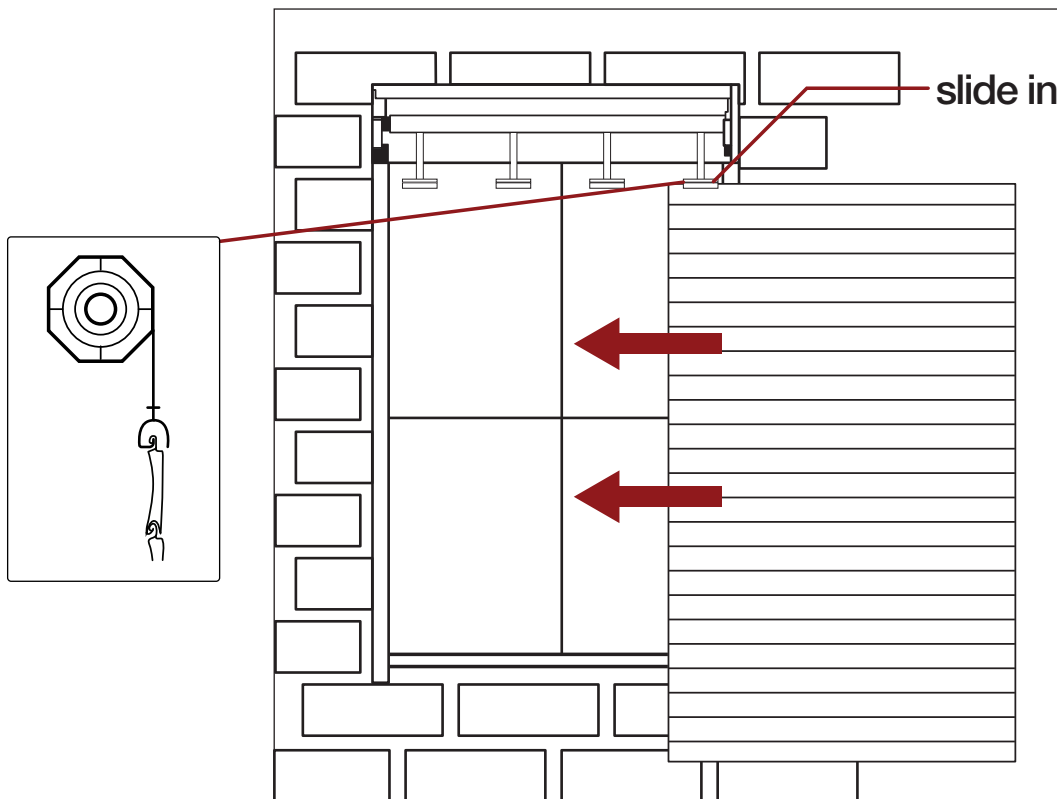


Drill hole diameter for gear operated shutters or motors with emergency override: $\varnothing 1/2"$

Motor Operated



Drill hole diameter for electrical feed (consult your electrician for cable routing): $\varnothing 1/2"$



Attach Curtain onto spring-lock hangers.

Drive Installation - Step by Step

Tape Drive

- 2" away from tape endside cut a ½" hole lengthwise.
- Install recoil box attach to wall.
- Feed tape through diamond shaped entry guide, through wall and shutter. Install entry guide.
- Attach tape onto pulley wheel by inserting it over the diamond hook of the pulley wheel.
- **Special A150 & A150H: Since Curtain is in shutter housing, pull curtain to its down position.**
- **Disconnect Curtain from spring-lock hangers.**
- **Turn spring-lock hangers by 90 degree to avoid that they scratch the curtain while winding axle.**
- Pull entire tape out of the recoil box. Insert about 1' back into the recoil box and secure with a clamp.
- Turn rolling shutter axle to wind up tape onto pulley wheel. Do it until tape is slightly tensioned.
- Attach curtain onto spring-lock hangers (see below) **does not apply for A150 & A150H.**
- Lift up curtain and wind around axle. Insert base slat into guide rails and lower curtain in its tracks. **does not apply for A150 & A150H.**
- For A150 & A150H - reattach curtain onto spring-lock hangers.

Gear Operated

- Insert drive shaft of universal into gear.
- Mark exit point from universal and deduct approximately 3" for desired shaft length.
- Cut universal to desired length.
- Install universal.
- **If shutter is gear and spring loaded – crank axle downwards until gear hits its bottom stop.**
- Attach curtain onto spring-lock hangers (see below).
- Bend 3cm Cut (not for A150 & A150H) on top of rails.
- Lift up curtain using gear mechanism and wind around axle.
- Insert base slat into guide rails and lower curtain in its tracks.

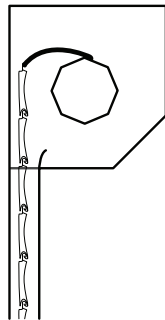
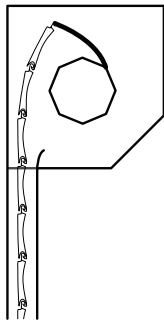
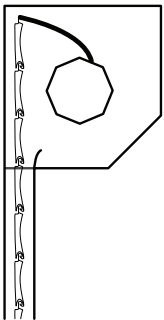
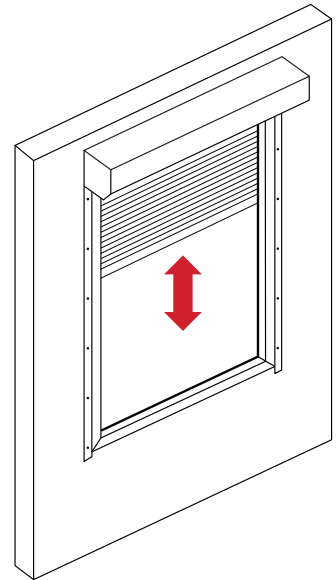
Motorized

- Connect Motor according to wiring diagram (if wiring diagram is not delivered with motor, call Rollac at 281-485-1911 to obtain an electronic copy or for the phone support).
- Attach curtain.
- Bend 3cm cut if applicable on top of rails.
- Use motor to lift curtain and wind curtain around axle.
- Insert curtain into rail starting with the base slat.
- Set motor limits (*see documentation*).

Step 4 - Shutter Testing and Final Adjustments



Run the shutter up and down 3 times. Make sure it runs free from obstructions. Adjust if necessary

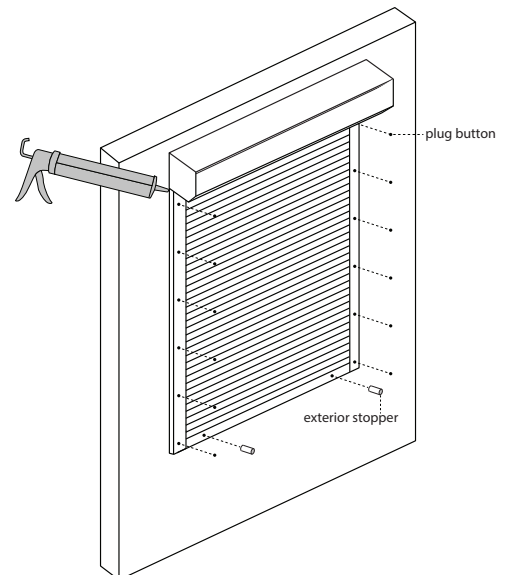


Adjust Curtain Height

- Adjust the shutter curtain to the correct height.
- Remove or add slats if necessary.

Finish the Installation

1. Reattach Access Panel
2. Caulk around rails and boxes (and screws).
3. Cover all screw holes with the included plug buttons.
4. Install all exterior stops at the bottom bar (if applicable)
5. The stops prevent the shutter from rolling into the shutter housing. Shutters of type A150, A150H have an interior stop. Shutters with regular motor and remote control do not require an exterior stop.





Highest Standard in Custom Manufacturing

Since 1982, Rollac has combined quality, service and the latest technology to produce the best possible product for our customers. Each job is constructed to ensure the best fit and finish. Whether trying to enhance security, seeking bespoke comfort, or adding protection from the elements, Rollac will provide a premium experience from the beginning to the end of every job.

In 2021, commercial, industrial and residential sectors sector used a combined 63% of all energy in the United States, making our market the leading source of carbon emissions. Our Miami-Dade rated shutters, as well as our Zipshades and awnings increase efficiency while decreasing environmental damage and saving money in operational costs.

Using the latest technology at hand, all of our products are engineered in house and custom-fit to suit any job. We at Rollac strive to provide the best possible experience for any company, residence or individual looking to improve their property.



5331 West Orange Street
Pearland, TX 77581

Phone 281.485.1911
Toll Free 1.888.2-ROLLAC
Fax 281.485.0839

Published: 2024
www.rollac.com

