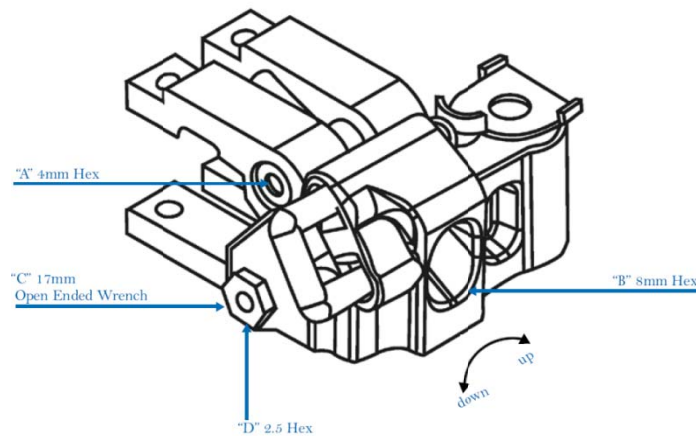


## Sunrise Awning Adjustments after Installations

### 1. Pitch Adjustment

- Extend awning about 2 feet
- Loose setscrew A counter clockwise with a 4 mm Hex Key
- Relieve weight on the bracket by lifting the arm (to relieve positioning elements) and hold
- Turn set screw B with an 8 mm hex key until favorable position is achieved  
*Turn Left: Lower Pitch                      Turn Right: Raise Pitch*
- Tighten screw "A" clockwise to lock pitch. Failing to lock screw A can result in arm dropping over time.
- Repeat adjustment procedure at other arm bracket

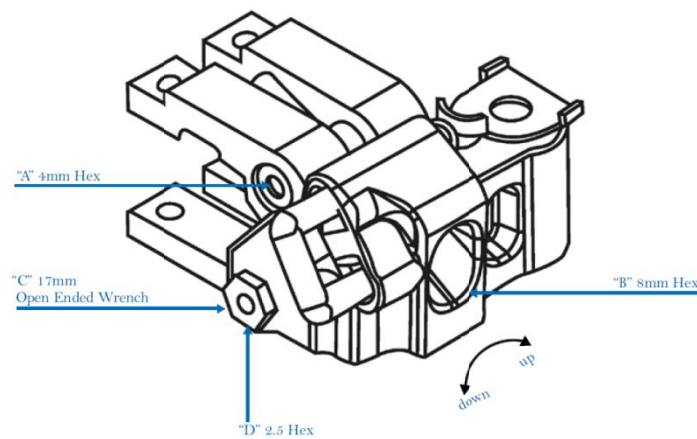


## 2. Adjust Level Differences of Arms after Installation

The arm brackets have an eccentric bushing to adjust leveling. The eccentric bushing is secured against rotation with a headless screw. **Do not adjust arms if no level difference is visible.**

To adjust arm level:

- Loose headless screw **D**
- Adjust arm level by rotating screw nut **C** with a 17 mm open end wrench
- Tighten and secure headless screw **D**



**Before (vorher) and After (nachher)**



vorher



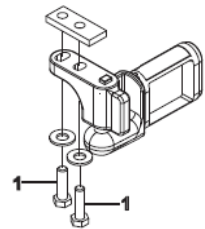
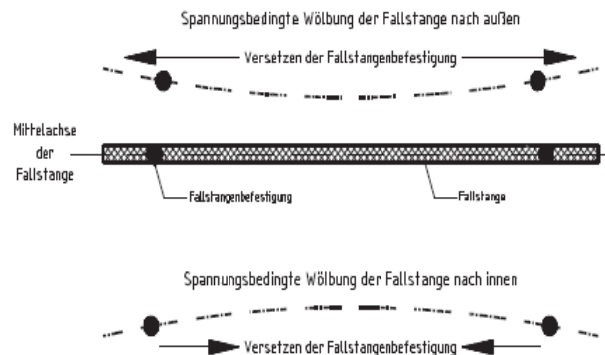
nachher

### 3. Correction of Tension within the Front Bar



**WARNING:** This adjustment has to be made by experienced installers.

- Project out awning
- Verify that awning and front bar run in parallel
- Check if awning front bar bows inward (facing back of the wall) or bows outward (away from the wall)
- Retract and close awning. Verify awning and front bar close entirely
- Open awning about 1 foot
- Mark current position of front bar connectors
- **Exercise utmost caution with this step. Loosen screw # 1 slightly. Do not remove screw as this causes the arm to rapidly expand! DANGER OF INJURY**
- Move both front bar connectors the same distance in the same direction (For direction see drawing)
- Tighten screw #1.
- If necessary, repeat adjustment



**Note:**

Tensions in the front bar can also be the result of irregularities within the awning cover. If irregularities within the cover are too large, it may not be possible to adjust it with the front bar adjustment.