



ROLLAC

Rolling Shutter Installation Manual

Quick Start Guide

Please read before installing rolling shutters

Table of Contents

• Important Rolling Shutter Terminology	3
• Shutter Installation Condition Covered in Technical Guide	4
• Step 1 – Fix Shutter Housing	5
• Step 2 – Install Operator	7
• Step 3 – Shutter Testing and Final Adjustment	9

Important Notice

Please familiarize yourself with these instructions before starting the installation. This guide is intended to be a quick startup guide, and the installation methods presented are meant for reference. Steps and methods may vary depending on installation conditions. For more detail installation instructions or if you have any questions, please consult the Rollac **Complete Technical Guide** or contact us at 281-485-1911 and ask for installation support. For immediate Questions – please call Rollac Tech Support: 1-888-276-5522

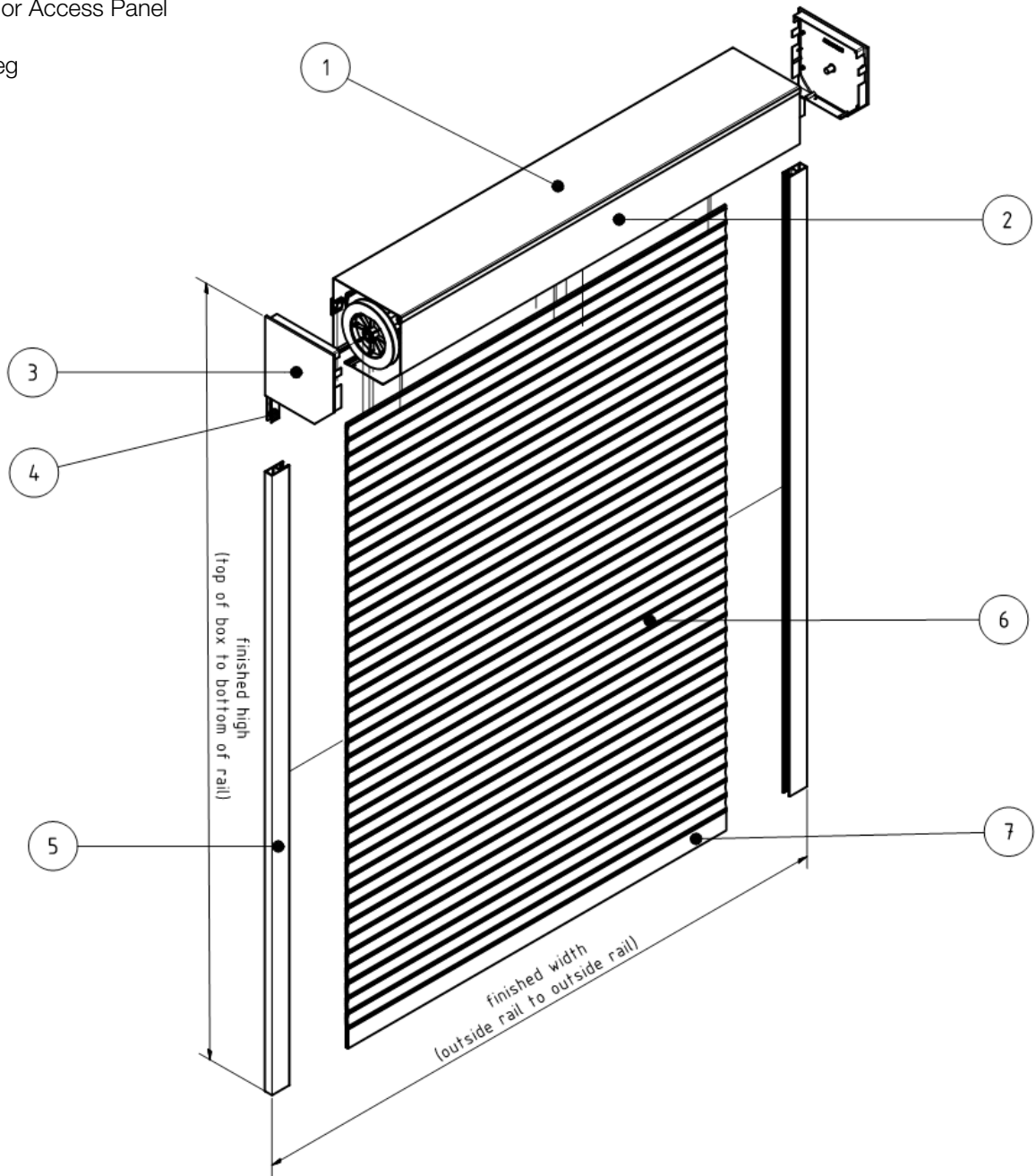
Installation instructions require experience in construction and mounting techniques and are written for the professional installer that is authorized by Rollac or one of its authorized dealers.

Have all electrical work performed by a qualified electrician.

Rollac also has installation videos available at www.rollac.com.

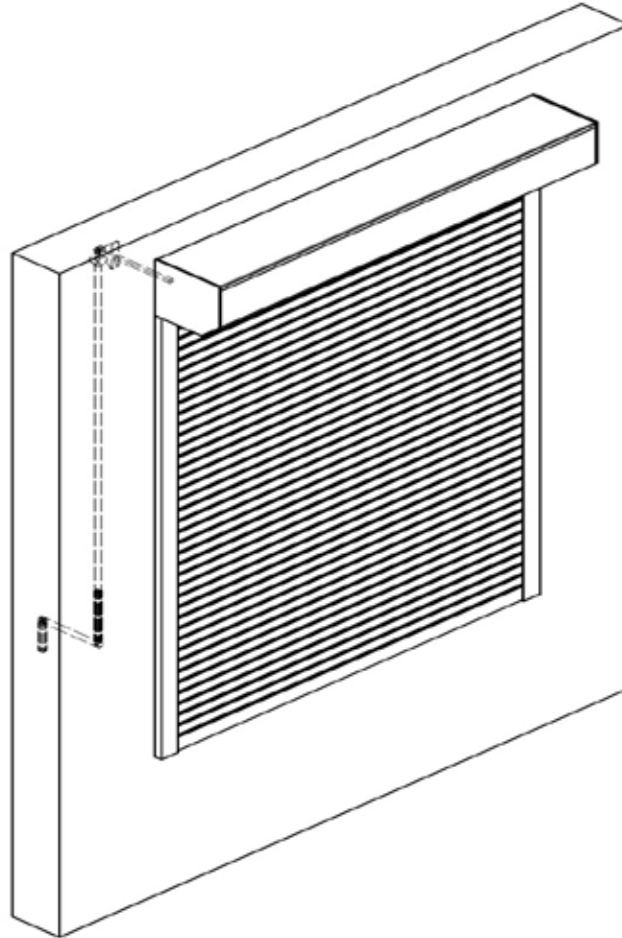
Important Rolling Shutter Terminology

- 1. Shutter Housing Back
- 2. Front Cover or Access Panel
- 3. Sidecaps
- 4. Sidecap - Leg
- 5. Guiderails
- 6. Curtain
- 7. Base Slat



Shutter Installation Condition Covered in Technical Guide

Exterior Mount



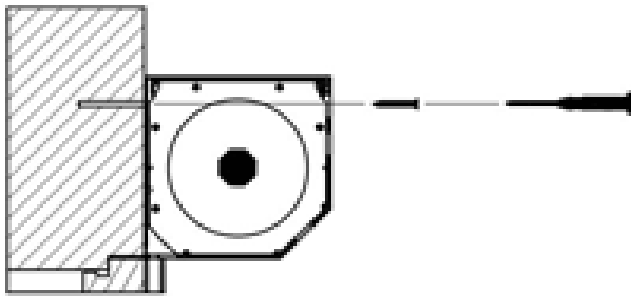
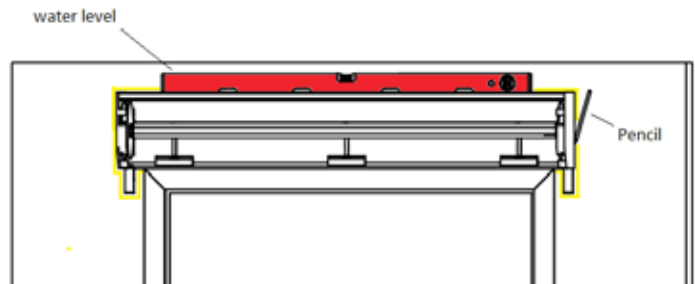
Rolling Shutter Surface Preparation

- Mounting surface must be suitable to carry the weight of the rolling shutter
- Check shutter dimensions vs. window / opening dimensions
- No obstructions should be in the up and down path of the rolling shutter
- Rolling Shutter needs a bottom stop to rest on, i.e. window sill

Step 1 - Fix Shutter Housing

Level Shutter Housing against wall

1. Use a standard bubble level to ensure proper alignment of the shutter housing against the wall.
2. Mark the outer position of shutter housing with a carpenter pencil or chalk.

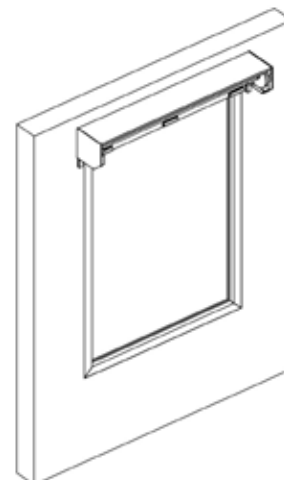


Exterior Mount Shutters: Transfer Feed Hole onto installation surface

1. Mark drilling hole for operator's feed
2. Remove housing
3. Drill feed hole for operator
(for feed hole diameter see Step 2 – Install Operator)

Exterior Mount Shutters: Transfer Feed Hole onto installation surface

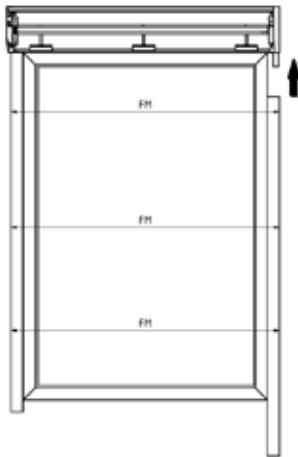
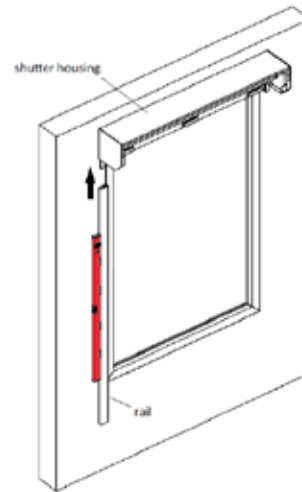
1. Mark drilling hole for operator's feed
2. Remove housing
3. Drill feed hole for operator
(for feed hole diameter see Step 2 – Install Operator)



Step 1 - Fix Shutter Housing - Continued

Insert Rails into Side-Cap Legs – First Rail

1. Insert first Guide Rail into Side-Cap Leg.
2. Be careful not to break Side-Cap Legs.
3. Fix Top Screw
4. Make sure Rail is level!
5. Fix Bottom screw.

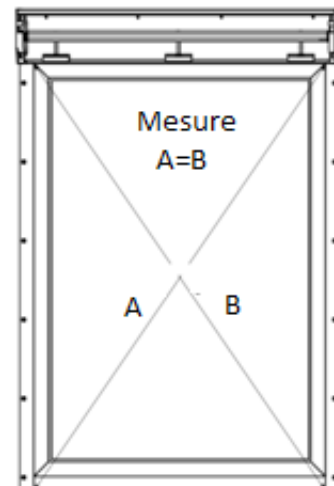


Insert Rails into Side-Cap Legs – First Rail

1. Insert second Guide Rail into Side-Cap Leg.
2. Insert second Guide Rail away from first Guide Rail. Use finished width as a measurement and fix the top screw.
3. Repeat previous step for the bottom screw.

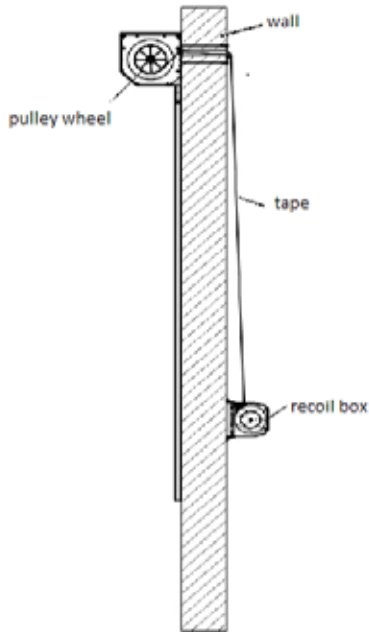
Insert Rails into Side-Cap Legs – First Rail

1. Insert second Guide Rail into Side-Cap Leg.
2. Insert second Guide Rail away from first Guide Rail. Use finished width as a measurement and fix the top screw.
3. Repeat previous step for the bottom screw.



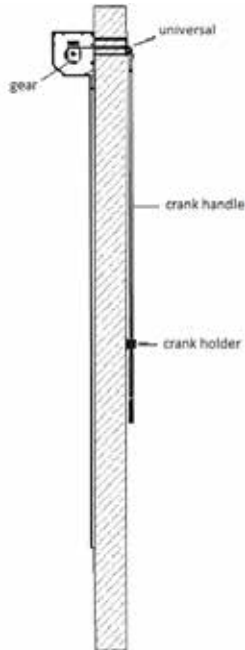
Step 2 - Install Operator

Tape Drive



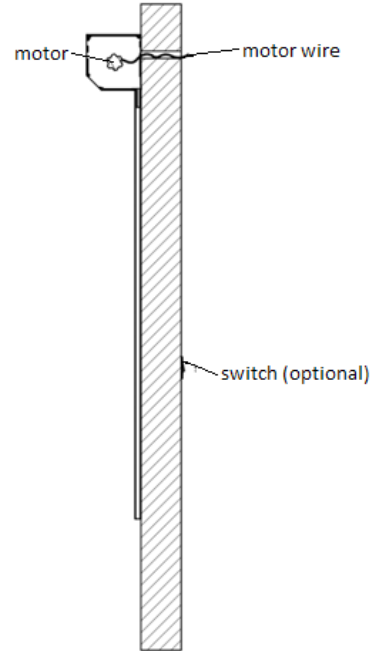
Feed hole diameter
tape drive: **Ø 5/8"**

Gear Operated

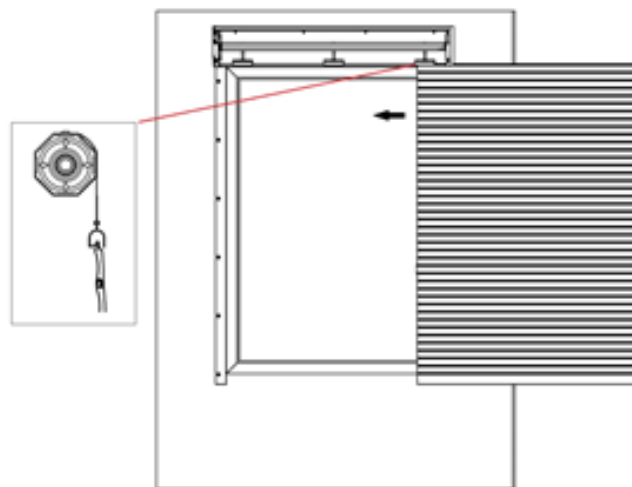


Feed hole diameter gear
and emergency override: **Ø 1/2"**

Motor Operated



Feed hole diameter motorized: **Ø 1/2"**
(consult electrician for cable routing)



Attaching Curtain onto spring-lock hangars.

Drive Installation - Step by Step

Tape Drive

- 2" away from tape endside cut a ½" hole lengthwise
- Install recoil box attach to wall
- Feed tape through diamond shaped entry guide, through wall and shutter. Install entry guide
- Attach tape onto pulley wheel by inserting it over the diamond hook of the pulley wheel.
- **Special A150 & A150H: Since Curtain is in shutter housing, pull curtain to its down position.**
- **Disconnect Curtain from spring-lock hangers.**
- **Turn spring-lock hangers by 90 degree to avoid that they scratch the curtain while winding axle.**
- Pull entire tape out of the recoil box. Insert about 1' back into the recoil box and secure with a clamp.
- Turn rolling shutter axle to wind up tape onto pulley wheel. Do it until tape is slightly tensioned.
- Attach curtain onto spring-lock hangers (see below)
does not apply for A150 & A150H
- Lift up curtain and wind around axle. Insert base slat into guide rails and lower curtain in its tracks.
does not apply for A150 & A150H
- For A150 & A150H - reattach curtain onto spring-lock hangers

Gear Operated

- Insert drive shaft of universal into gear
- Mark exit point from universal and deduct approximately 3" for desired shaft length
- Cut universal to desired length
- Install universal
- **If shutter is gear and spring loaded – crank axle downwards until gear hits its bottom stop.**
- Attach curtain onto spring-lock hangers (see below)
- Bend 3cm Cut (not for A150 & A150H) on top of rails
- Lift up curtain using gear mechanism and wind around axle
- Insert base slat into guide rails and lower curtain in its tracks

Motorized

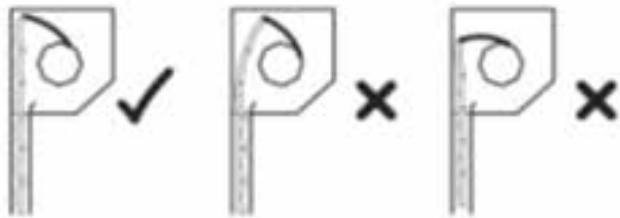
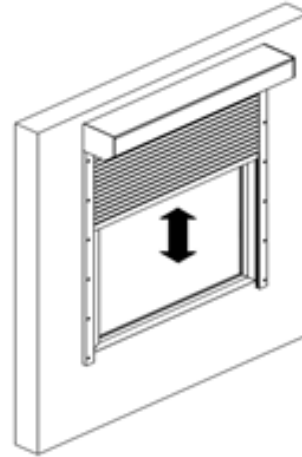
- Connect Motor according to wiring diagram
(if wiring diagram is not delivered with motor, call Rollac at 281-485-1911 to obtain an electronic copy or for the phone support)
- Attach curtain
- Bend 3cm cut if applicable on top of rails
- Use motor to lift curtain and wind curtain around axle
- Insert curtain into rail starting with the base slat
- Set motor limits *(see documentation)*

Step 3 - Shutter Testing and Final Adjustments

Test Run



Run the shutter up and down 3 times. Make sure it runs free from obstructions. Adjust if necessary

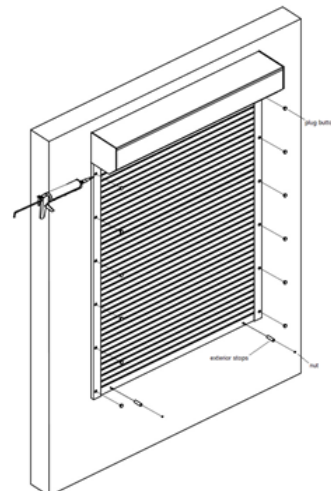


Adjust Curtain Height

- Adjust the shutter curtain to the correct height.
- Remove or add slats if necessary.

Finish the Installation

1. Reattach Access Panel
2. Caulk around rails and boxes (and screws).
3. Cover all screw holes with the included plug buttons.
4. Install all exterior stops at the bottom bar (if applicable)
5. The stops prevent the shutter from rolling into the shutter housing. Shutters of type A150, A150H have an interior stop. Shutters with regular motor and remote control do not require an exterior stop.





Experience
Technology
Higher Standards

Since 1982, Rollac has operated with a vision of quality, service, and modern technology to produce the best possible product for our customers. Each product is custom manufactured for every single job to ensure the best fit and finish. Regardless if you are looking to enhance security, add comfort to a space, or seek protection from the elements, Rollac has the solution for your home or work environment.

ROLLAC 

5331 West Orange Street
Pearland, TX 77581

toll free 1.888.2-ROLLAC
phone 281.485.1911
fax 281.485.0839

