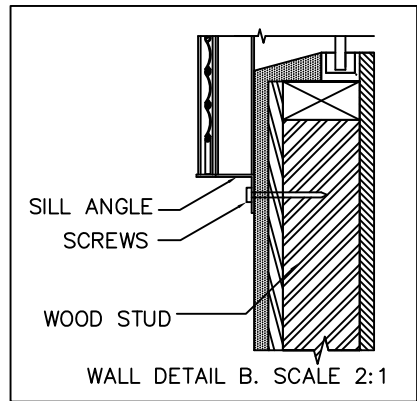
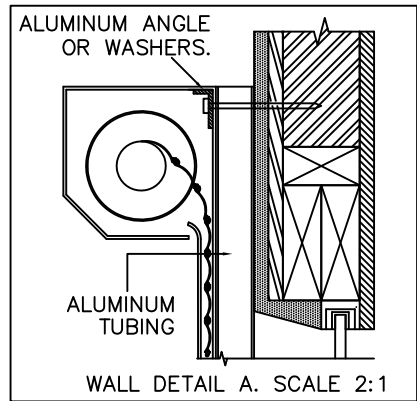
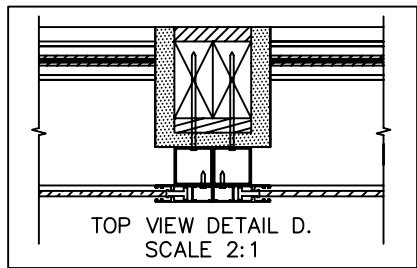
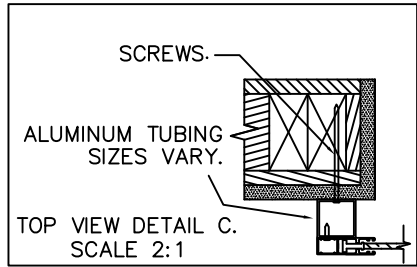
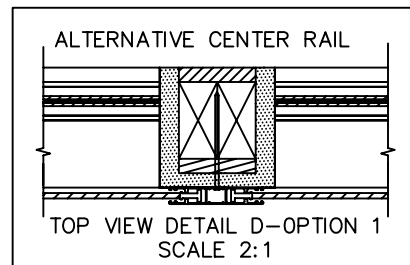
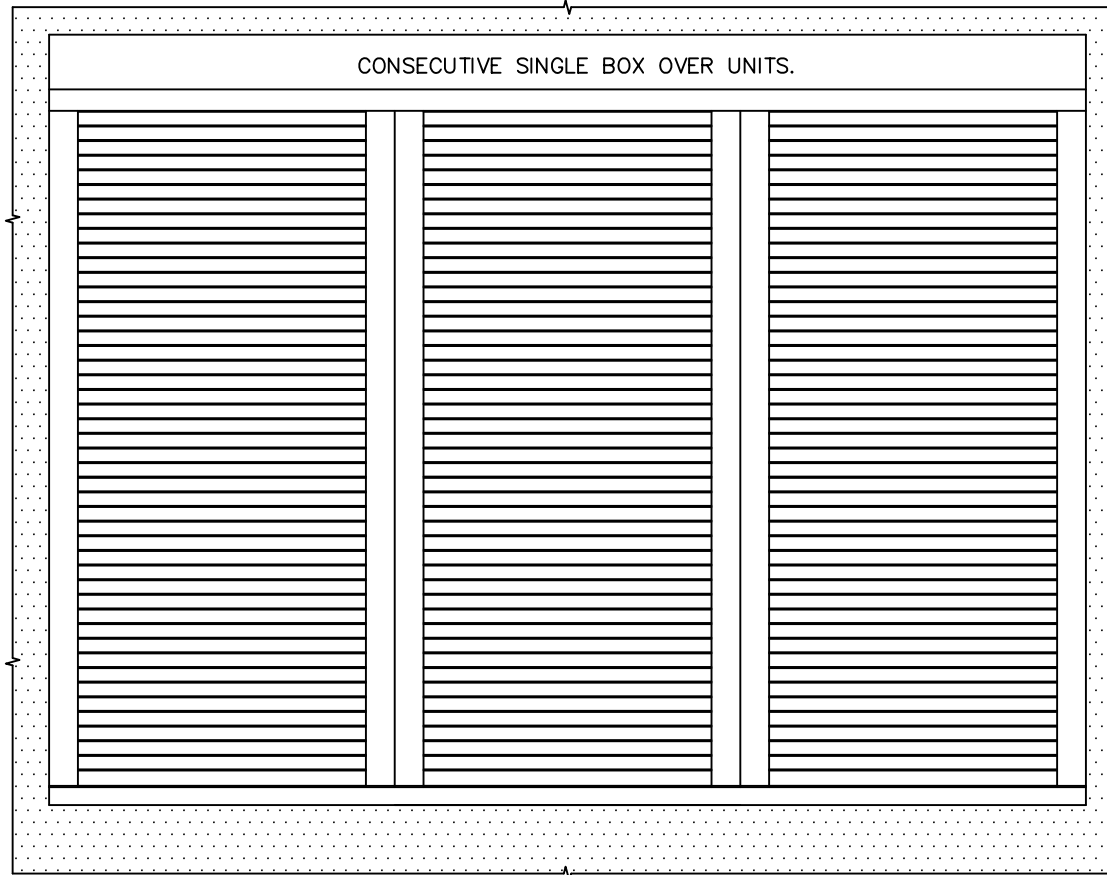
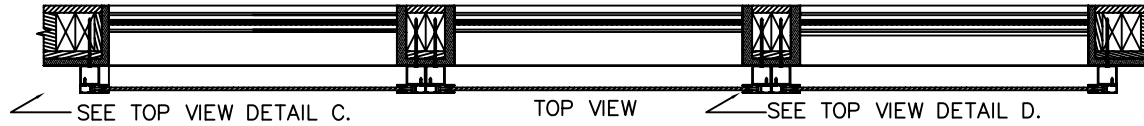


CONSECUTIVE SINGLE UNIT BUILD OUT MOUNT SINGLE BOX



NOTE: LEED CONSTRUCTION MAY CALL FOR ADDITIONAL CONSIDERATIONS.

CONSECUTIVE UNITS CAN ALSO BE MOUNTED USING A "BUILD OUT" ALUMINUM EXTRUSION AS SHOWN BELOW. DIFFERENT SIZES ARE AVAILABLE FOR ADAPTING TO SITE CONDITIONS.

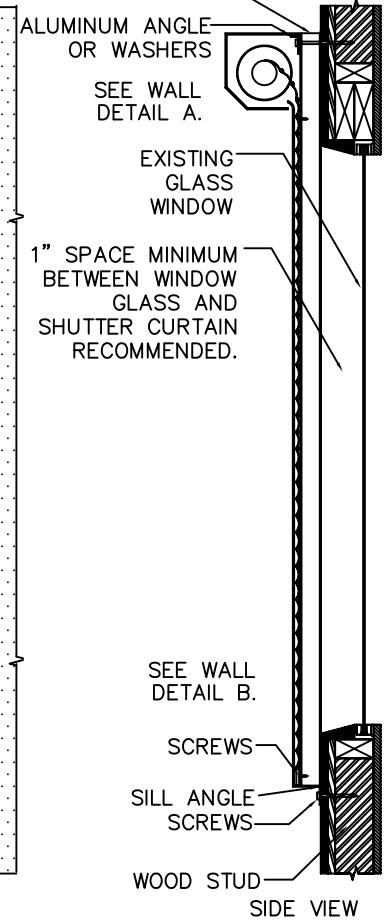


NOTE: HEIGHT AND WIDTH OF SHUTTER TO BE DETERMINED ON A PER INSTALLATION BASIS. CALL ROLLAC FOR MORE DETAILS.

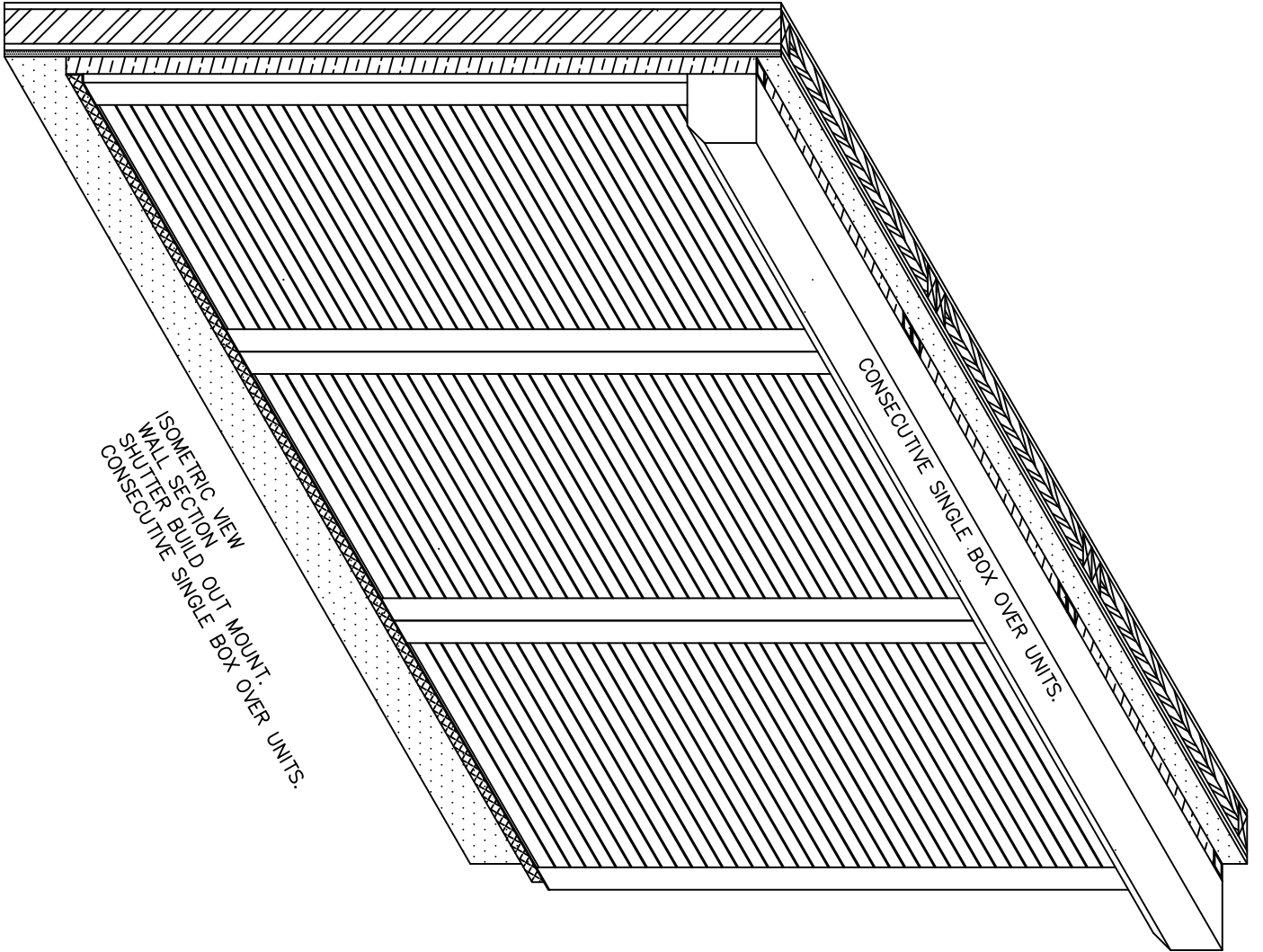
NOTE: FOR INSTALLATION INSTRUCTIONS ON ROLLAC HURRICANE RATED SHUTTERS, PLEASE REFER TO THE ENGINEERING DOCUMENTS ON WWW.ROLLAC.COM

FRAMING
2" X 4"

ALUMINUM TUBING ON EACH SIDE OF WINDOW SIZES VARY PER APPLICATION.



5331 W. Orange St.
Pearland, Tx. 77581
Tel: 281-485-0839
www.rollac.com



ISOMETRIC VIEW
WALL SECTION
SHUTTER BUILD OUT MOUNT
CONSECUTIVE SINGLE BOX OVER UNITS.

CONSECUTIVE SINGLE BOX OVER UNITS.

5331 W. Orange St.
Pearland, Tx. 77581
Tel: 281-485-0839
www.rollac.com

