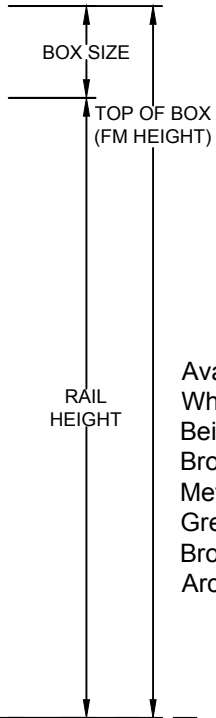
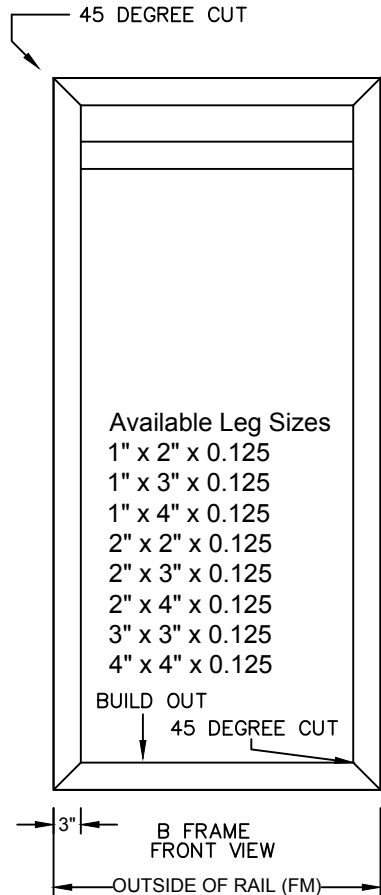
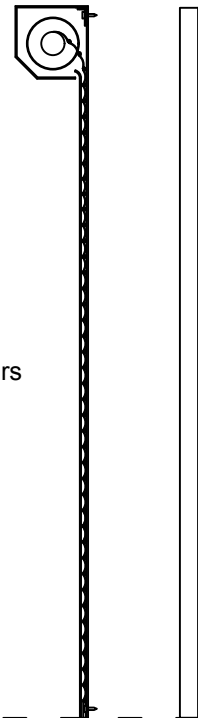


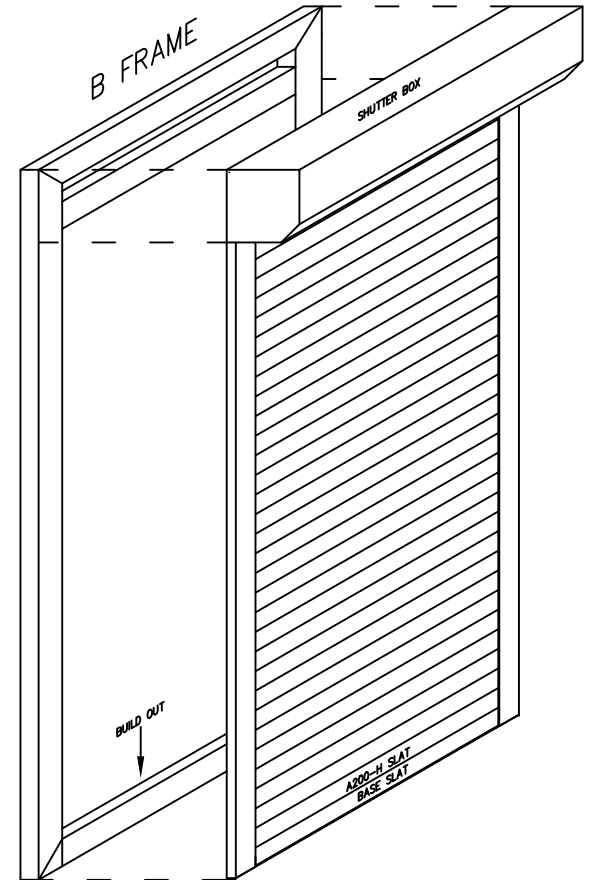
# B FRAME



SHUTTER B FRAME



SIDE VIEW



ISOMETRIC VIEW SHUTTER AND B FRAME

Copyright © 2016 by Rollac Rolling Shutters

APPLICATION: TO BUILD OUT FROM AN OBSTACLE WHERE BUILD OUT IS NEEDED FOR SHUTTER HOUSING, GUIDE RAILS AND SILL ANGLE.



5331 W. Orange St.  
 Pearland, TX. 77581  
 Tel: 281-485-1911  
 www.rollac.com